

Wall Units

W 2412
W 2712

W 3012 W 4212
W 3312 W 4512
W 3612 W 4812
W 3912

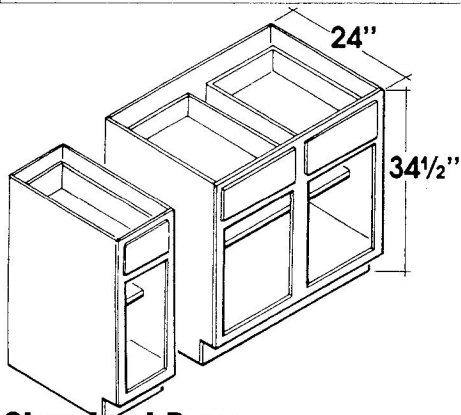
W 2415
W 2715

W 2715 W 4215
W 3015 W 4515
W 3315 W 4815
W 3615
W 3915

W 2418
W 2718

W 3018 W 4218
W 3318 W 4518
W 3618 W 4818
W 3918

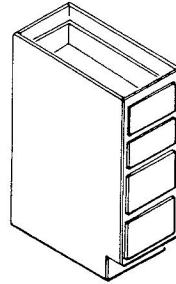
All single door units are reversible except Heritage, Colony



Standard Base

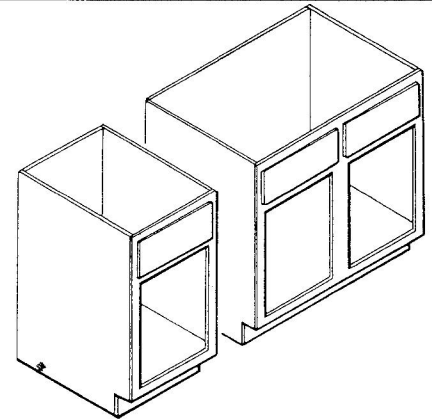
B 9 B 18 B 30 B 39
B 12 B 21 B 33 B 42
B 15 B 24 B 36 B 45
B 27 B 48

B 9 has 1 long door; no drawer
Specify hinge left or right on all single door cabinets



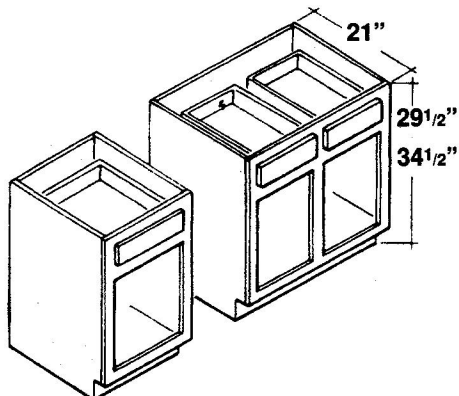
Drawer Base

DB 12 DB 24
DB 15
DB 18
DB 21



Sink Base

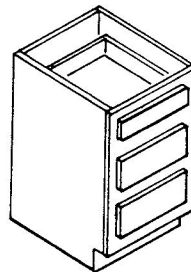
SB 18 SB 30
SB 21 SB 33
SB 24 SB 36
SB 27 SB 39
SB 42
SB 45
SB 48



Vanity Base Cabinets

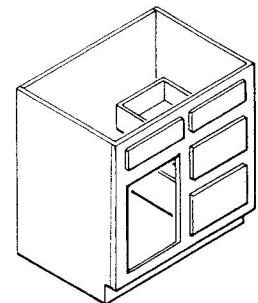
VB 12 VB 30 VB 42
VB 15 VB 33 VB 45
VB 18 VB 36 VB 48
VB 21 VB 39
VB 24
VB 27

Specify Depth 18" or 21" on all vanities
Specify Suffix "T" for 34 1/2" tall vanities
(example VB30T)



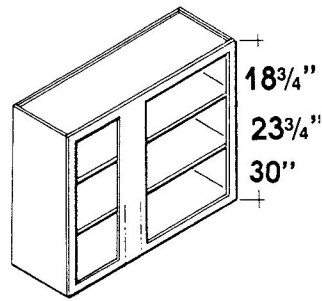
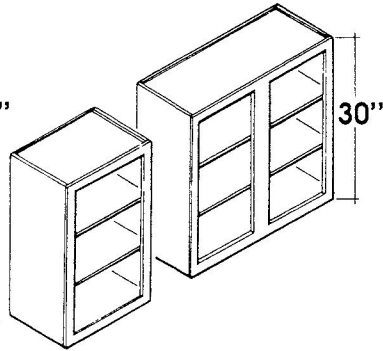
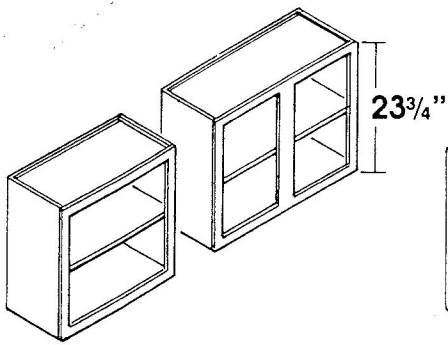
Vanity Drawer Base

VDB 12
VDB 15
VDB 18
VDB 21
VDB 24



Vanity Sink Drawer Base

VSDB 24
VSDB 30
VSDB 36
VSDB 42
VSDB 48
VSDB's specify drawers left or right

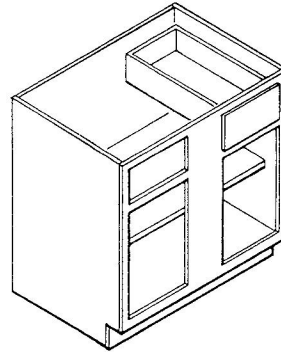
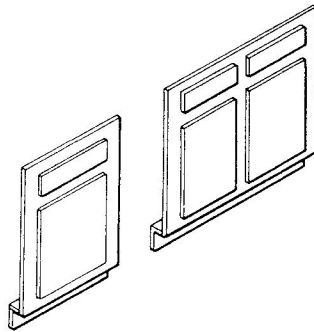
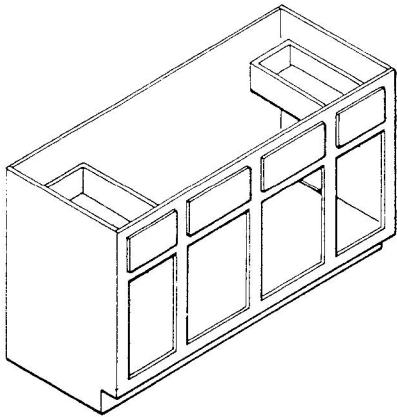


All wall units except CWC available in peninsula wall units: add Prefix "p"

- | | | | | |
|--------------|--------------|--------|--------|--------|
| W924 | W3024 | W 930 | W 3030 | W 4530 |
| W1224 | W3324 | W 1230 | W 3330 | W 4830 |
| W1524 | W3624 | W 1530 | W 3630 | |
| W1824 | W3924 | W 1830 | W 3930 | |
| W2124 | W4224 | W 2130 | W 4230 | |
| W2424 | W4524 | W 2430 | | |
| W2724 | W4824 | W 2730 | | |

Blind Wall Cabinets

- BW 2430 pulls to 27"
- BW 2730 pulls to 30"
- BW 3030 pulls to 33"
- BW 3330 pulls to 36"
- BW 3630 pulls to 39"
- All units reversible except Heritage, Colony



Combination Sink Base

Sink Front

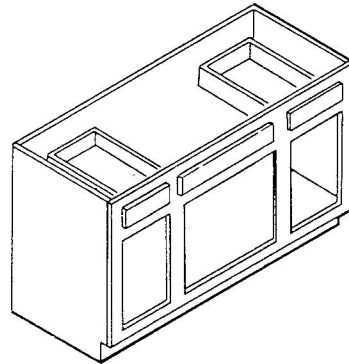
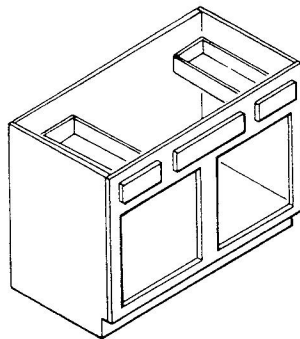
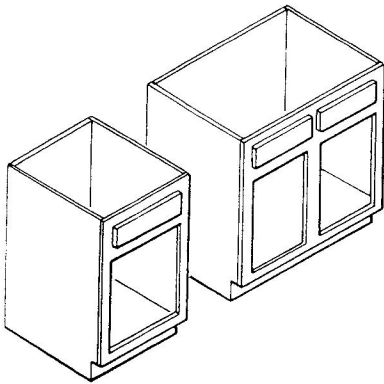
Blind Corner Base

CSB 60

- | | | |
|-------|-------|-------|
| SF 18 | SF 30 | SF 48 |
| SF 21 | SF 33 | |
| SF 24 | SF 36 | |
| SF 27 | SF 39 | |
| | SF 42 | |
| | SF 45 | |

- BLB 36 pulls to 42"
- BLB 39 pulls to 45"
- BLB 42 pulls to 48"
- BLB 45 pulls to 51"
- BLB 48 pulls to 51"
- Specify left or right

All Base units available in peninsula units add prefix "p"

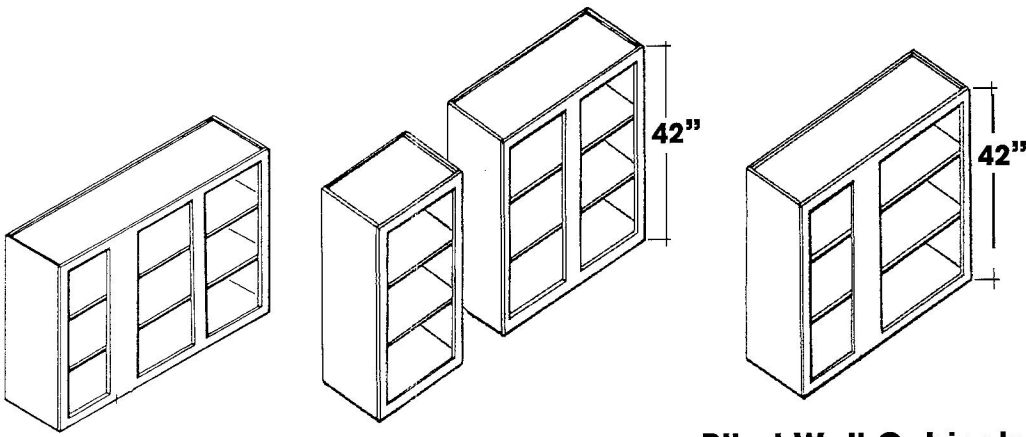


Vanity Sink Base

Combination Vanity Sink Base

VSB 48

- | | | |
|-----------------|--------|--------|
| VSB 18 16" Deep | VSB 30 | VSB 36 |
| VSB 21 | VSB 33 | VSB 39 |
| VSB 24 | | VSB 42 |
| VSB 27 | | VSB 45 |



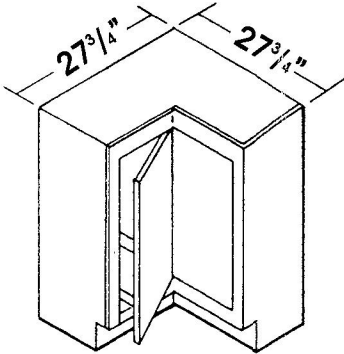
Blind Wall Cabinets

BW 3930 pulls to 42"
 BW 4230 pulls to 45"
 BW 4530 pulls to 48"
 BW 4830 pulls to 51"

W942
 W1242
 W1542
 W1842
 W2142
 W2442
 W2742

W3042
 W3342

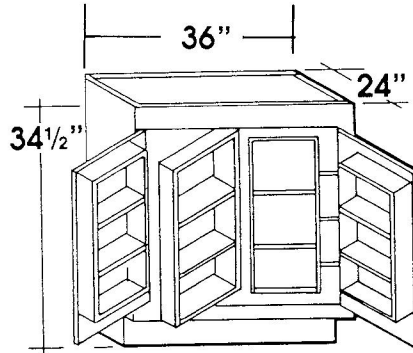
BW2442 Pulls to 27"
 BW2742 Pulls to 30"
 BW3042 Pulls to 33"
 BW3342 Pulls to 36"



Lazy Susan Base

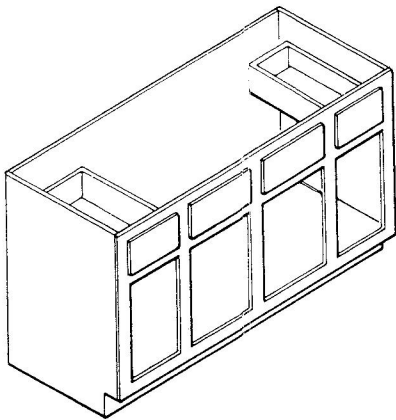
LSB 36

Lazy Susan Base
 Requires 36" wall space

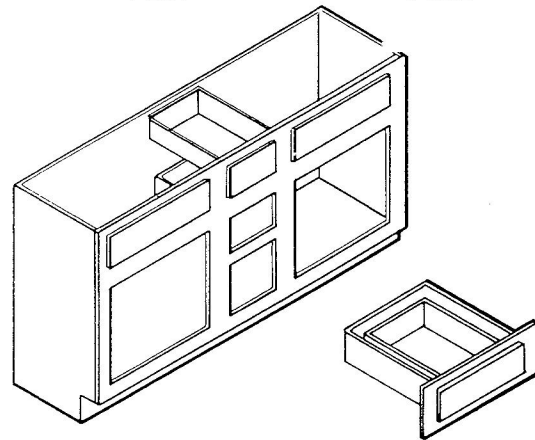


Multi-Storage Base

MSB 36



VSB 60

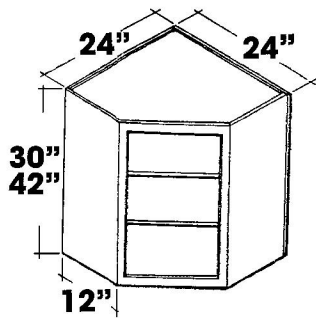


Vanity Double Sink

VDS 60

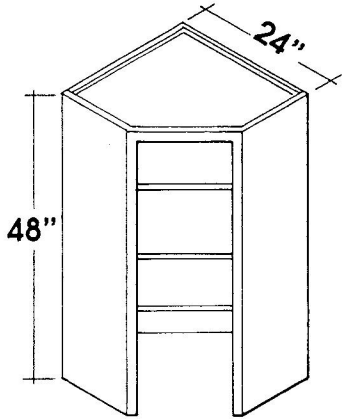
Vanity Drawer

VD 36-30
 VD 30-24



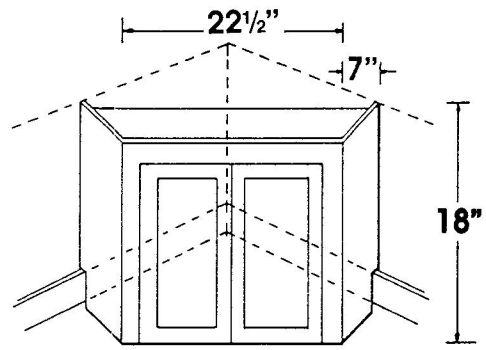
Corner Wall Cabinet

CWCS2430 CWCS2442
CWCR2430 CWCR2442



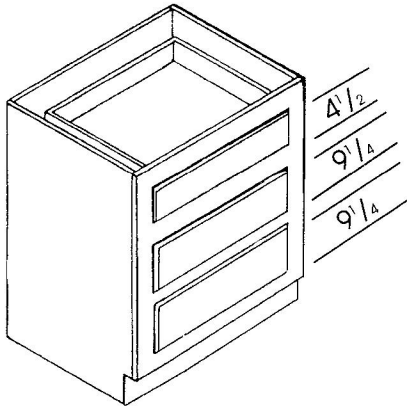
Appliance Garage

AGS 2448
AGR 2448
AGR 2460
AGS 2460



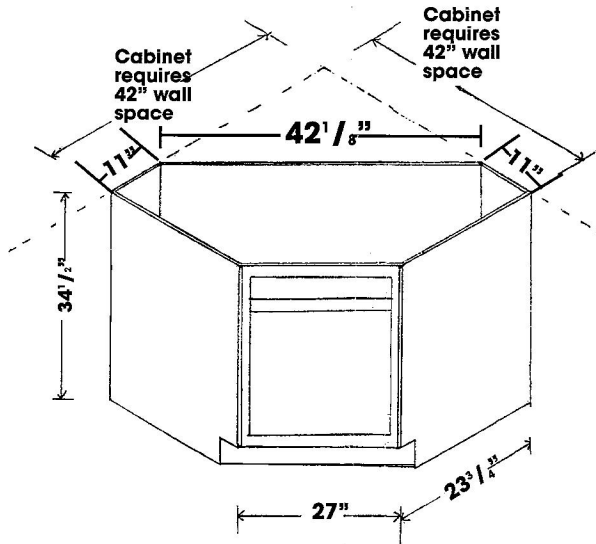
Appliance Garage

AG 18

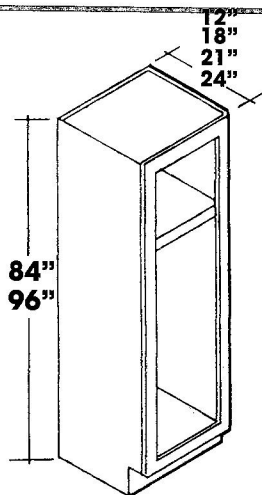


3 Drawer Base

3 DB 24
3 DB 27
3 DB 30

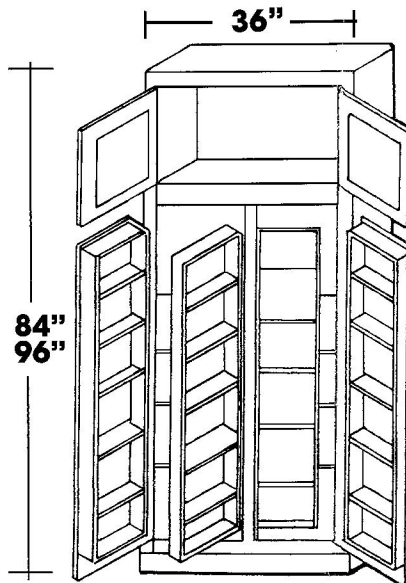


**Diagonal Corner Sink Base
DCSB42**



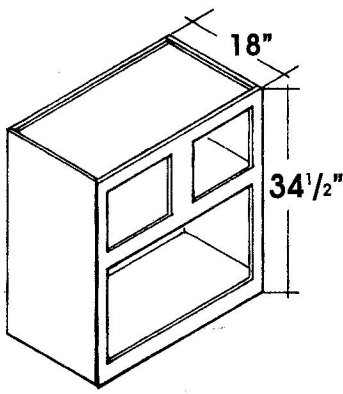
Universal Cabinet

All universal cabinets come in 7' or 8' heights in 12, 15, 18, 21, 24, 27, 30, widths, and in 12, 18, 21, 24 depths. Please specify each when ordering. Example: 7UC1212 is a 7' high x 12" wide x 12" deep cabinet. Also specify hinge left or right on 12, 15, 18, 21, Cabinets.



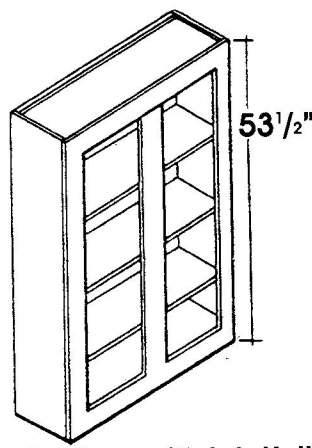
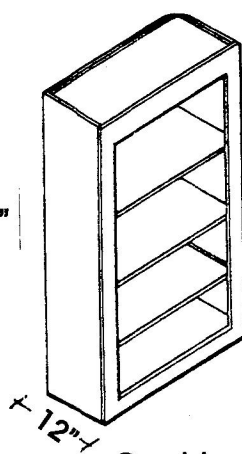
Multi-Storage Pantry

7 MSP 36
8 MSP 36



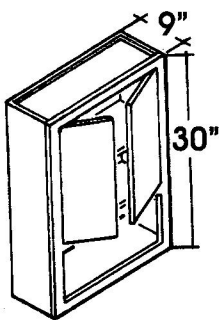
Microwave Cabinets

MC 27-23 1/2 X 16 Hole Size
MC 30-26 1/2 X 16 Hole Size

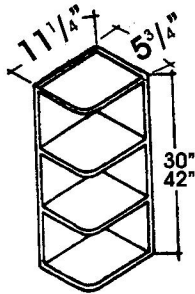


Combination Bookcase/Hutch Units

CBH 24 CBH 36
CBH 27
CBH 30

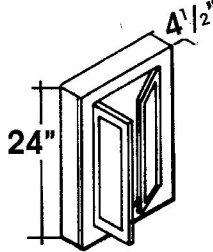
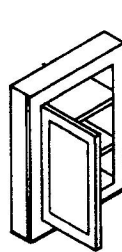


Johnny Wall
JW 2430



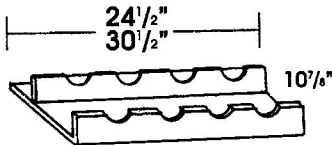
What-not Shelf

WNS
WNS 30
WNS 42

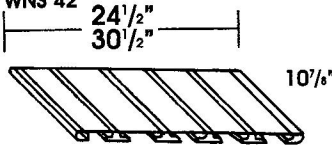


Medicine Cabinet

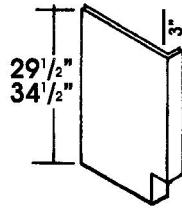
MD 1824 MD 2424
MMD 1824(mirror) MMD 2424(mir-



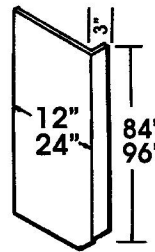
Wine Rack
WR24 WR30



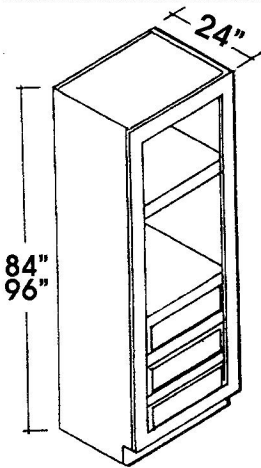
Wine Glass Holder
WG24 WG30



DWEP 3

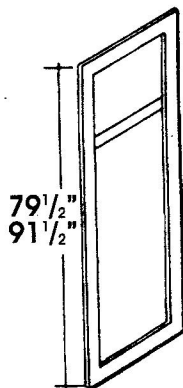


RFP
7 RFP 12
7 RFP 24
8 RFP 12
8 RFP 24



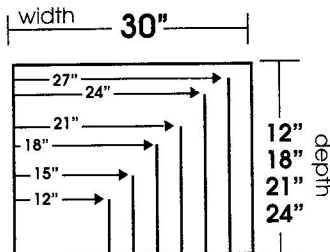
Universal Oven Cabinet

7 OC 24 8 OC 24
7 OC 27 8 OC 27
7 OC 30 8 OC 30
7 OC 33 8 OC 33
Cut out dimensions
for oven openings
are shown on back



Universal Fronts

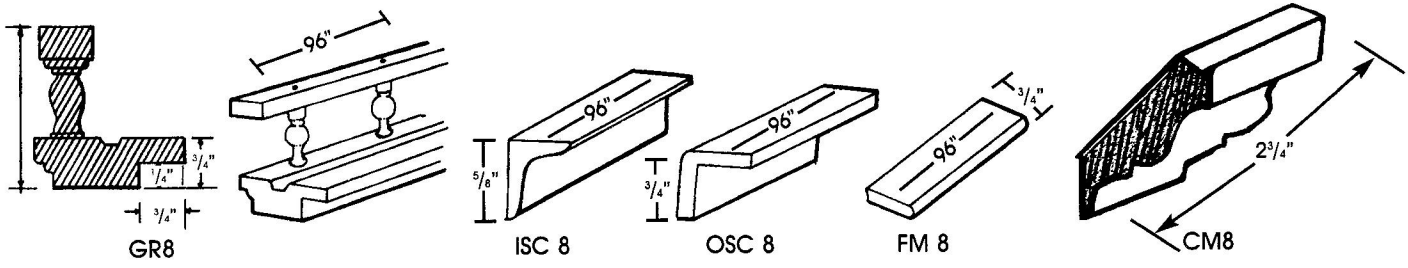
7 UF 12 8 UF 12
7 UF 15 8 UF 15
7 UF 18 8 UF 18
7 UF 21 8 UF 21
7 UF 24 8 UF 24
7 UF 27 8 UF 27
7 UF 30 8 UF 30



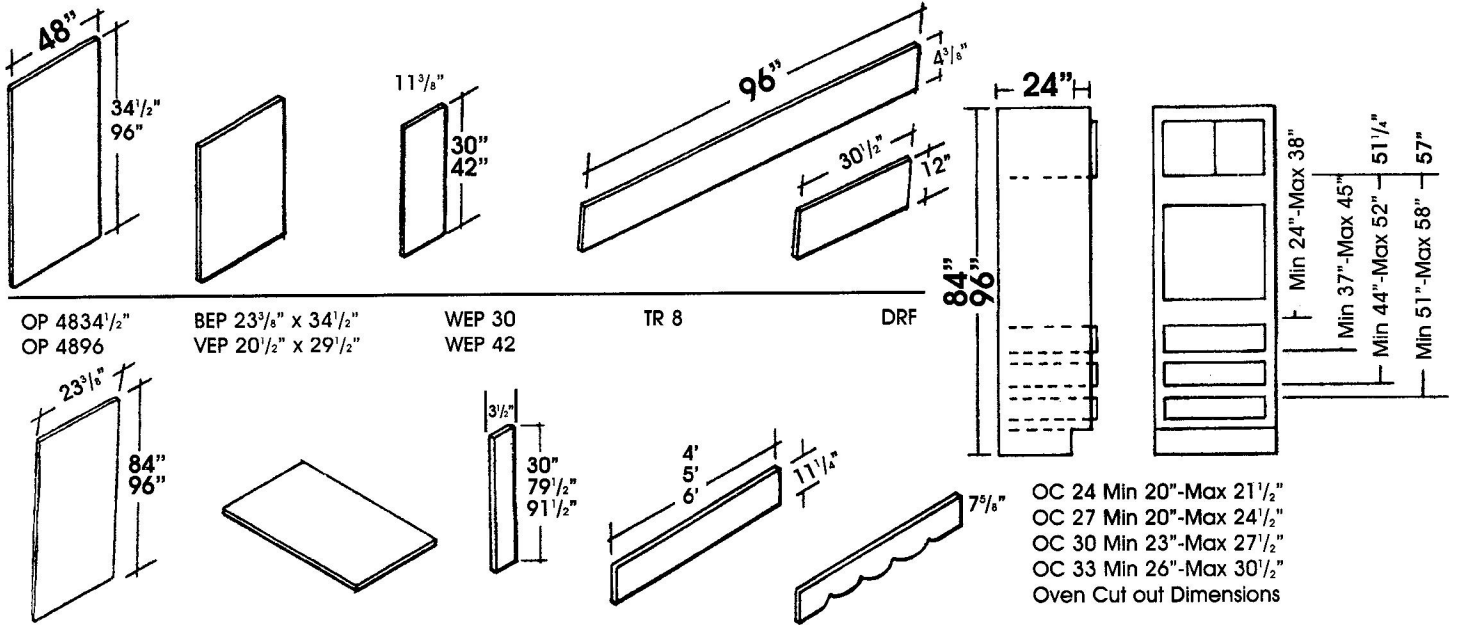
Adjustable Shelves for Universal Cabinets

Shelves come in sizes to fit cabinets 12", 15", 18", 21", 24", 27", 30" widths and 12", 18", 21", 24" depths.
Specify width & depth.

ALL 96" TALL CABINETS ARE BUILT IN 2 SECTIONS



Mouldings



PEP 7	SFB 36	AP30	OF 7	SOF 4	VAL 4
PEP 8	SFB 48	AP42	OF 8	SOF 5	VAL 5
				SOF 6	VAL 6

ACCESSORIES